



Donaire

Designed in 2015



With teardrop motor housing, the Donaire 316 marine grade stainless steel wet location ceiling fan is transitional in design. Donaire is finished in brushed bronze or brushed stainless and is equipped with an 18W LED, dimmable light kit with optional metal cover.

- 52" diameter with three ABS blades.
- Energy efficient three-speed, reversible 3-speed AC motor.
- Finishes: brushed stainless or brushed bronze.
- Constructed of 316 marine grade stainless steel.
- Limited Lifetime Warranty
- Standard equipment:
 - One downrod of 10". 5", 20", 30", 48" or 72" downrods also available.
 - Vaulted ceiling mount canopy for up to 30 degrees.
 - Reverse on 3-speed hand-held, wall-mountable remote control.
 - Integrated 18W LED light is replaceable and dimmable.
3000K. CRI: 81.5. Hours: 36,000 Lumens: 510.8



MATTHEWS

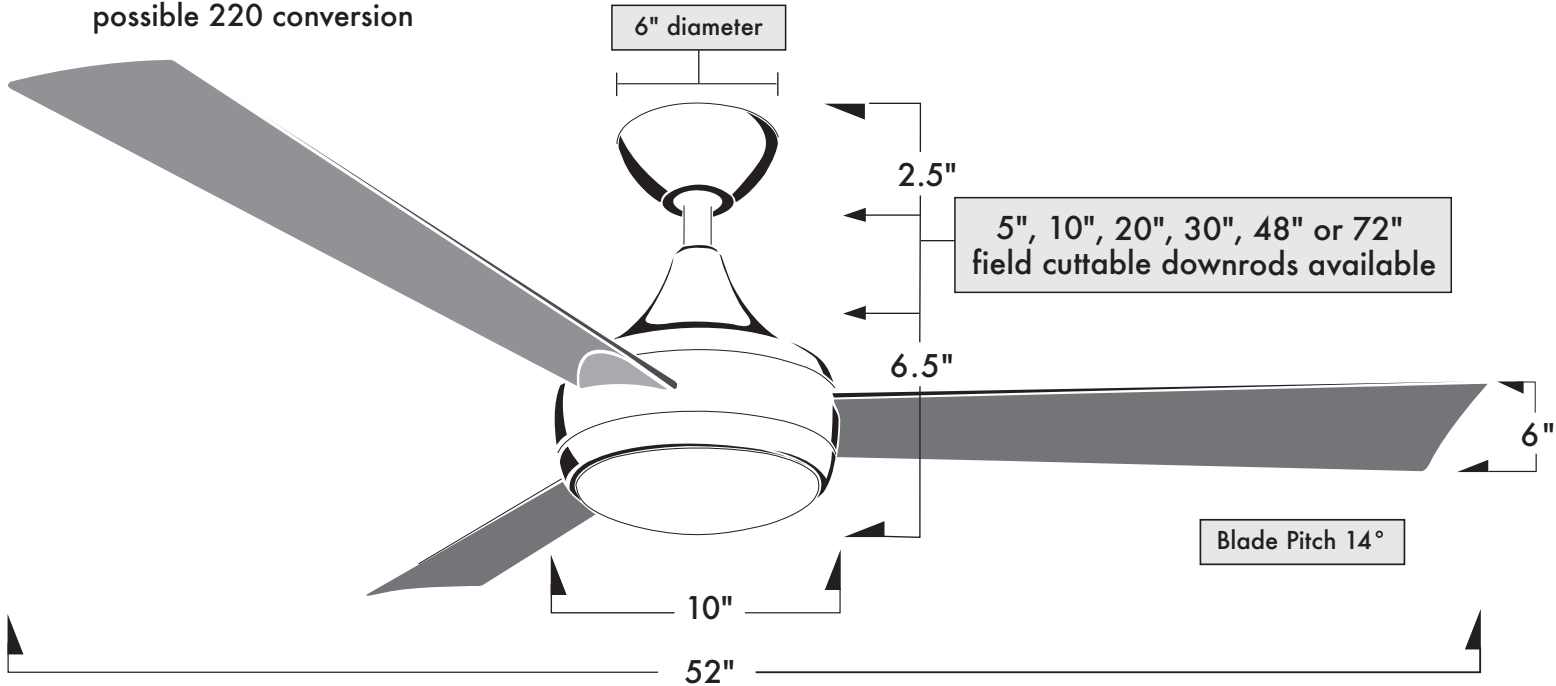
FAN COMPANY



Donaire

weight: 29 lbs
voltage: 110*

*Please contact us for possible 220 conversion



SKU Naming Convention
DA-XX (Model-Finish)
Finishes
Brushed Stainless - BS
Brushed Bronze - BB

CFM
6573

- 1) The Donaire is compatible with flat or vaulted ceilings and can be mounted with any one of the following downrod lengths: 5", 10", 20", 30", 48" and 72".
- 2) The Donaire is also compatible with an accessory Lutron decora-style wall control: SFSQ-LF.



Lamping
Color Temperature: 3000K
CRI: 81.5
Watts: 18
Hours: 36,000
Lumens: 510.8