

shown in Gloss White  
with 42" Barn Wood blades



# Irene-3H

*Designed in 2013*



The Irene-3H ceiling-mount fan is rustic, yet strikingly modern with three neatly joined, solid wood matte black, matte white, walnut, or barn wood tone blades. A cylindrical motor housing complements its minimal profile. Irene-3H is streamline while still appearing warm and natural. Constructed of cast aluminum and heavy stamped steel, the Irene-3H has a limited lifetime warranty.

## Product Features



DC  
Motor



Damp  
Location



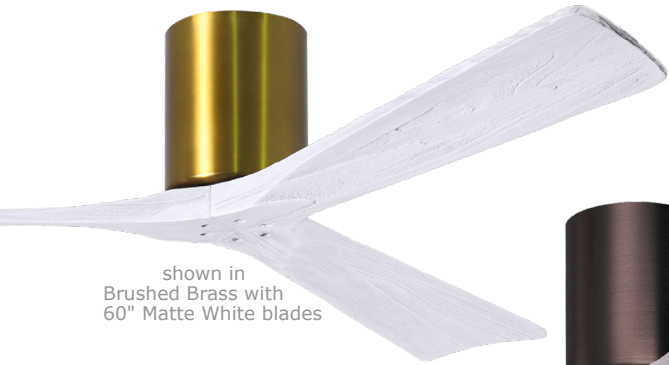
Silent



Remote  
Control



Wall  
Control



shown in  
Brushed Brass with  
60" Matte White blades



shown in  
Brushed Bronze with  
42" Barn Wood blades



shown in  
Textured Bronze with  
42" Walnut blades



shown in  
Matte Black with 42"  
Matte Black blades



shown in Brushed Nickel  
with 42" Matte White blades



shown in Barn Wood  
with 60" Matte Black blades



shown in Polished Chrome  
with 52" Barn Wood blades

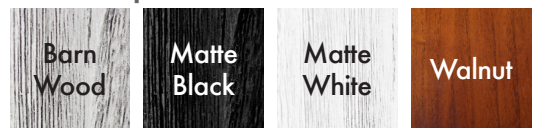


shown in Walnut  
with 42" Walnut blades



shown in Gloss White  
with 52" Barn Wood blades

**Blade Options**



# IRENE-3H

## FINISH AND BLADE OPTIONS

SKU#	IR3H-XXXX-XXX-XX (Model+Finish+Blade+Diameter)	
NEW Standard Finishes	Barn Wood	BW
	Brushed Brass	BRBR
	Brushed Bronze	BB
	Brushed Nickel	BN
	Gloss White	WH
	Matte Black	BK
	Polished Chrome	CR
NEW Blade Finishes	Textured Bronze	TB
	Walnut	WN
	Barn Wood Tone	BW
	Matte Black	BK
Fan Diameter	Matte White	MWH
	Walnut Tone	WA
	42 inches / 107 cm	42
	52 inches / 132 cm	52
	60 inches / 152 cm	60

## TECHNICAL SPECS

Fan Diameter	inches: 42, 52 or 60 centimeters: 107, 132 or 152
Overall Drop	10 inches / 25 cm
Fan Weight	11 lbs
Voltage	110 or 220
Motor Type	DC
Environment	Damp locations for all finishes Neither coastal, saltwater nor chlorine compatible
Ambience	Silent
Safety Certification	ETL / CETL
Warranty	Limited Lifetime

## NEW JAN 21, 2020 DOE MOTOR EFFICIENCY DATA

Fan Diameter	42 inch / 107 cm	52 inch / 132 cm	60 inch / 152 cm
RPM (Low/High)	51 / 231	51 / 193	52 / 155
CFM (Low/High)	746 / 3743	1254 / 5326	1755 / 5720
Watts (High)	17.61	32.38	32.08
CFM/Watt (High)	176	160	181
Blade Pitch	15°	15°	15°

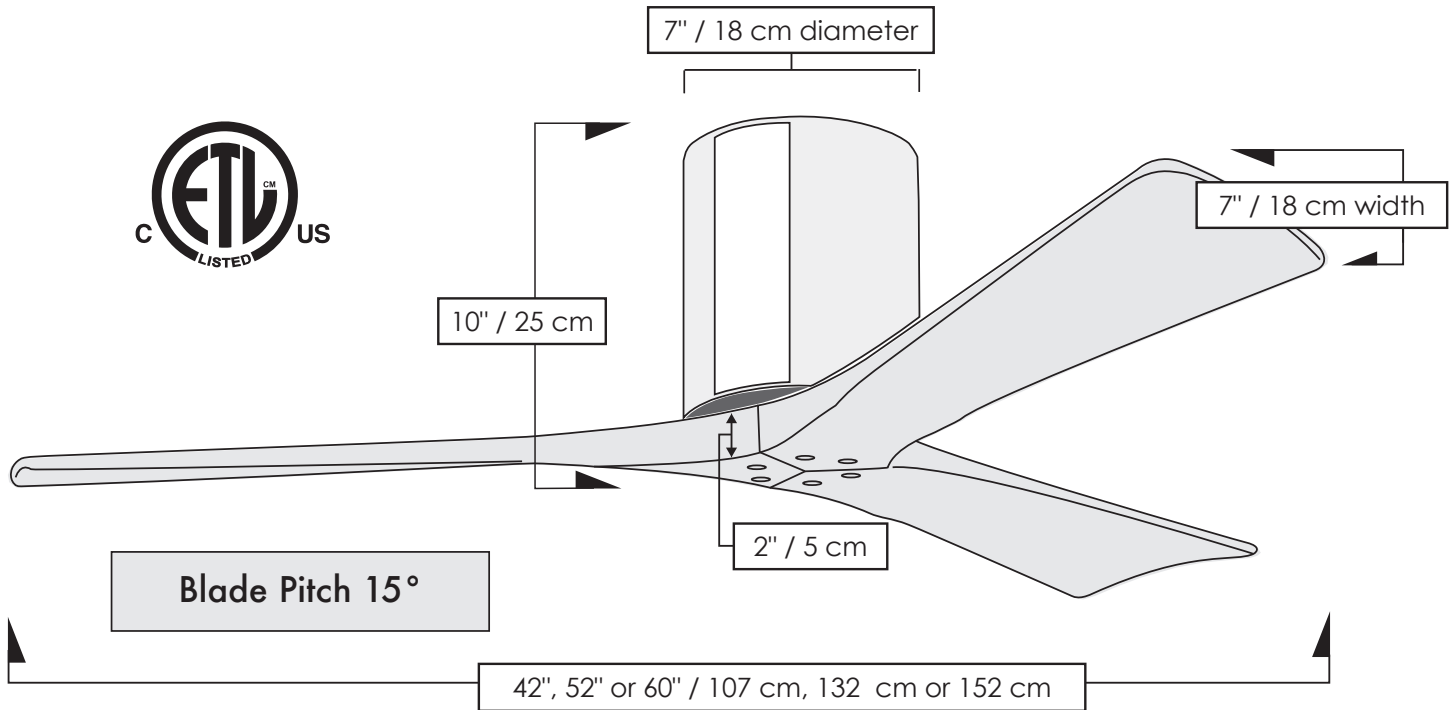
## STANDARD EQUIPMENT

<p>Black 6-speed RF remote control with reverse</p> 	<p>White wireless Decora-style, 6-speed, wall control with reverse</p> 
---	--

NOTE: Only compatible with included controllers.

# Irene-3H

## TECHNICAL SPECIFICATIONS



### CEILING PITCH TABLE

0/12	0 degrees
1/12	4.76 degrees
2/12	9.46 degrees
3/12	14.04 degrees
4/12	18.43 degrees
5/12	22.62 degrees
6/12	26.57 degrees
7/12	30.26 degrees
8/12	33.69 degrees
9/12	36.87 degrees
10/12	39.81 degrees
11/12	42.51 degrees

### CEILING HEIGHT TABLE

Suitable for ceiling heights 7'10" or greater

#### Matthews Fan Company

1881 Industrial Drive  
 Libertyville, IL 60048  
 Tele: 847.680.9043  
 Fax: 847.680.8140  
 www.matthewsfanco.com

© 2021 Matthews Fan Company. All rights reserved.

