



shown in Gloss White with Gray Ash blades

shown in Gloss White with Gloss White blades

Eliza-H *Geometry in Motion*

Designed in 2014



shown in Brushed Nickel with Walnut blades

shown in Brushed Nickel with Brushed Nickel blades

Blade Options



Designed by Chicago architect Stephen Katz in 2014, the Eliza-H ceiling-mount fan blends a beautiful technically derived form with superior function and movement. The unique blade shape is designed to maximize air movement at the outer edge of the blade. The result is more efficient air velocity rings, less blade drag and greater motor optimization. Equally important is Eliza's stationary visual statement which combines modern utility with minimalist geometry.

- 56" diameter.
- Energy efficient, ultra-quiet, six-speed and reversible DC motor with new reliable technology.
- Damp location finishes: brushed nickel and gloss white.
- Blades available in Gloss White, Brushed Nickel, Walnut or Gray Ash.
- Constructed of cast aluminum, polycarbonate and heavy stamped steel.
- Limited Lifetime Warranty
- Reverse on six-speed, hand-held and wall-mountable remote control.

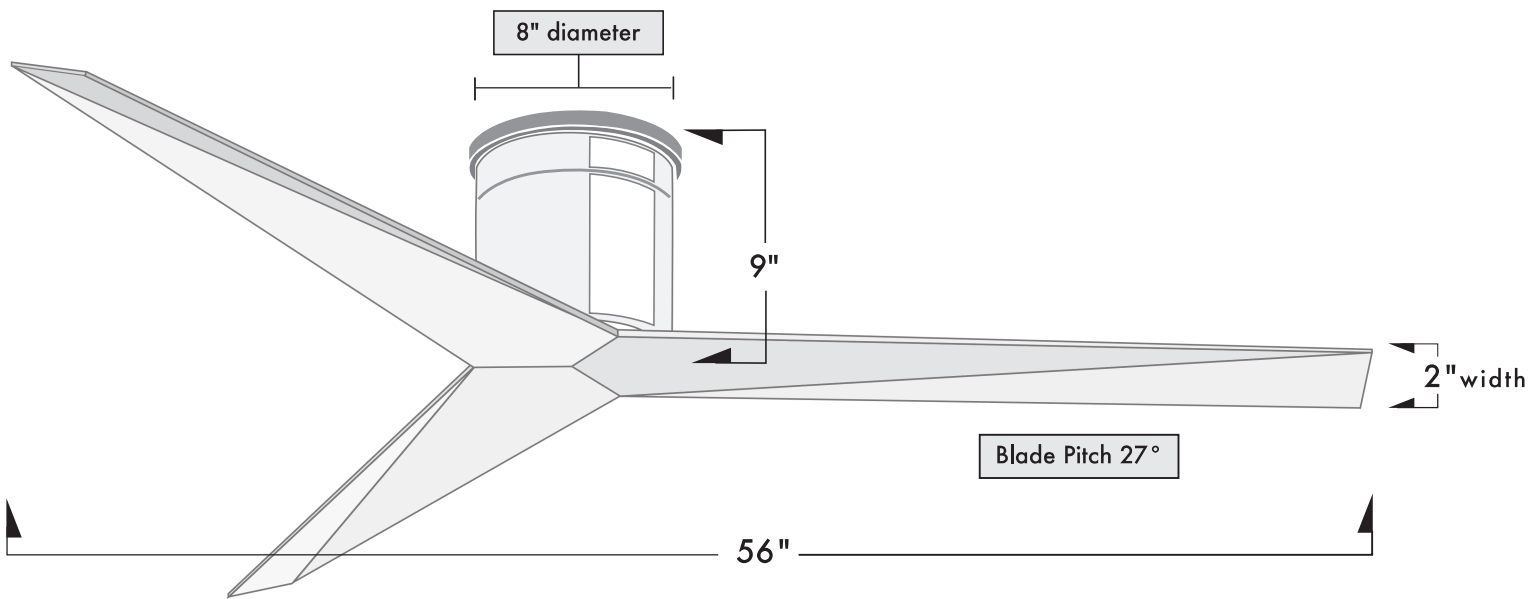


MATTHEWS

FAN COMPANY

Eliza-H

weight: 14 lbs
voltage: 110/220



SKU Naming Convention	
EKH-XX-XX (Finish-Blade Finish)	
Finishes	Blade Finishes
Brushed Nickel - BN	Brushed Nickel - BN
Gloss White - WH	Gloss White - WH
	Walnut - WN
	Gray Ash - GA

CFM
5396



The Eliza-H is compatible with a proprietary decora-style accessory wall control: DC-WC.



**Damp location: All standard finishes. Not recommended for salt water / ocean front applications.